

PLASTIC FILTER SERIES



All-purpose plastic filters from 3/4" to 3",
for flow rates up to 50 m³/h.



- ▶ Easy maintenance: The filter elements can easily be extracted from the filter housing for rinsing.
- ▶ Interchangeable filter element types ranging from 3500 to 22 micron to provide perfect protection for your system.
- ▶ Available with exclusive features for semi-automatic cleaning.



AMIAD FILTRATION SYSTEMS LTD.

AMIAD PLASTIC FILTERS

- ▶ Amiad plastic filters are available with different filter elements to suit different filtering requirements and filtration degrees. See table below.
- ▶ These all purpose filters are made with different engineering plastic materials that can be suited for mechanical strength and chemical and corrosion resistance.
- ▶ Amiad plastic filters can be easily dismantled by hand without tools. The filter elements can easily be extracted from the filter housing for rinsing.
- ▶ Amiad plastic filters may also be upgraded to semi-automatic functioning by adding one of the innovative features of the Turboclean (a), Brushaway (b) or Scanaway (c) assemblies. For detailed information check the specific brochures on semi-automatic filters.
- ▶ An exclusive "Traffic Light" (clogging indicator) can be fitted on the pressure check points to let you know visually the condition of the filter element.

Filter elements

A wide range of filter elements and filtration degrees are available for Amiad's plastic filters.

Screen elements

The screen elements are constructed of molded plastic ribs that support a stainless steel weave-wire screen or monofil polyester weave screen with filtration degrees from 22 to 800 micron (1).

For coarse filtration (straining) between 800 and 3500 micron, Amiad offers perforated stainless steel screens (2).

Suspended solids accumulate on the inside surface of the screen. The screen can be easily removed from the housing to be rinsed manually.

The direction of flow in these elements is from the inside out along the element so that inorganic suspended solids are accumulated mainly at the lower end of the element and can be removed by means of a flush valve. The screen elements are especially suitable for the separating of inorganic particles and create a very low head loss.

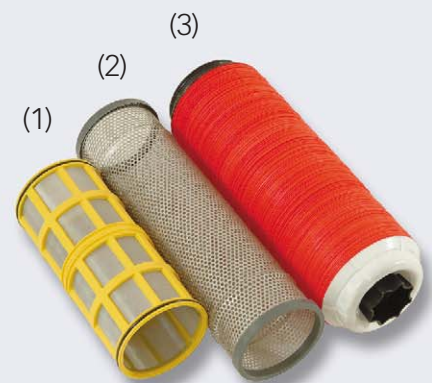
The different filtration degrees are color-coded. The cylinder incorporates two O-rings to ensure perfect sealing inside the filter housing.

Disc elements

These elements are constructed from plastic discs that are stacked onto a telescopic core (3). The discs are grooved on both sides. These grooves intersect to form the filtration element when compressed on the core. The disc element provides high retention of organic matter.

The effective filtration area is comprised of both the outside surface and the channels formed by the intersected grooves. Suspended organic particulate adheres to the grooved surface adding the element of depth to the filtration process.

Cleaning the disc element is made simple by the unique design of the telescopic core which allows the discs to separate during the cleaning process. Two O-rings provide perfect sealing inside the filter housing.



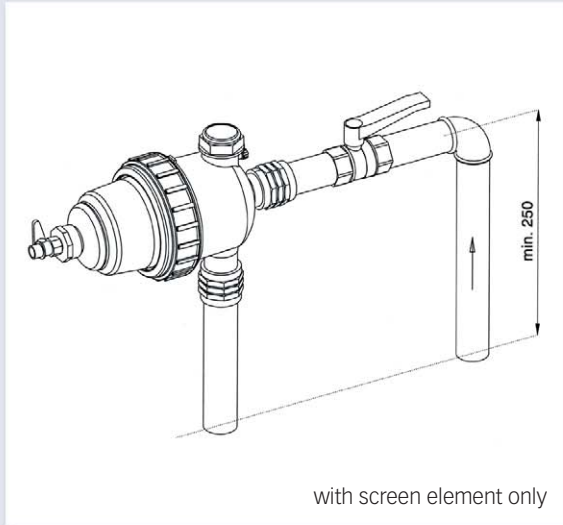
Filtration degrees available

Color	Brown	Green	Orange	Black	Yellow	Red	Purple	White	Brown	Blue	Green	Gray			
Micron	22	25	50	80	100	130	180	200	250	300	500	800	1500	2500	3500
Mesh	450	450	300	200	155	120	80	75	60	50	30	20	10	6	4
3/4", 1"C	■		■ ■	■ ■	■ ■	■ ■		■ ■		■ ■	■ ■	■			
1"S, 1 1/2"C, 1 1/2"S	■	■	■ ■	■ ■	■ ■	■ ■		■ ■	■	■ ■	■ ■	■			
2", 3"			■	■	■ ■	■ ■	■	■	■	■	■	■	■	■	■

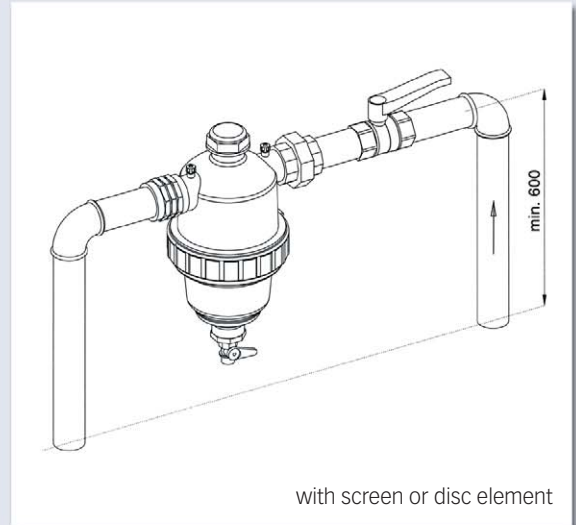
■ Nylon Screen ■ Weave Wire Screen ■ Disc Element ■ Perforated Screen

2" - 3" PLASTIC FILTERS FOR FLOW RATES UP TO 50 m³/h

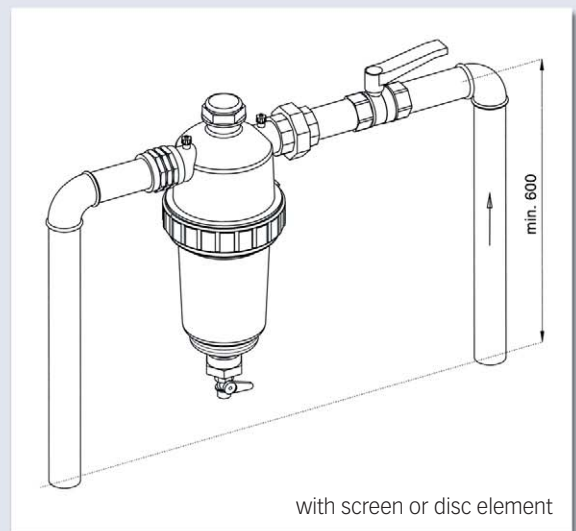
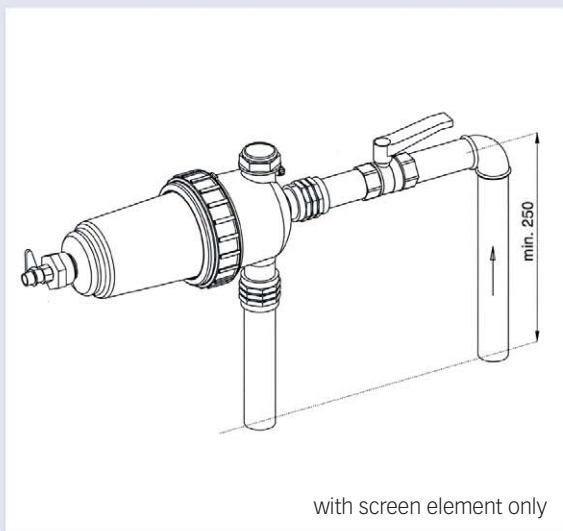
2"T



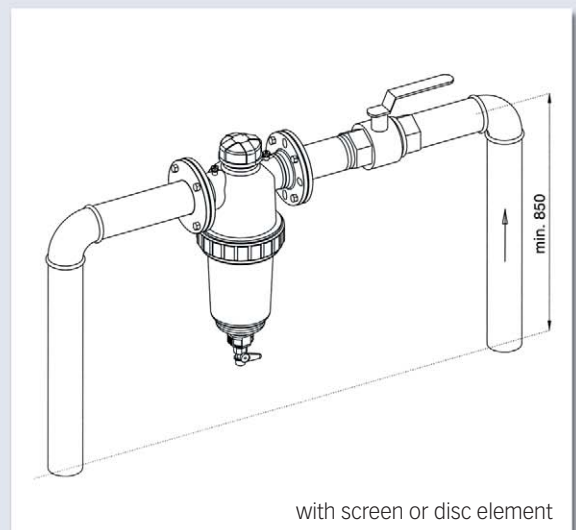
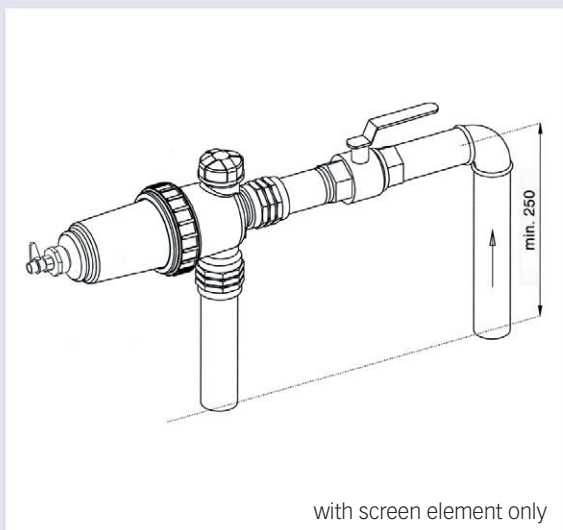
Suggested installations



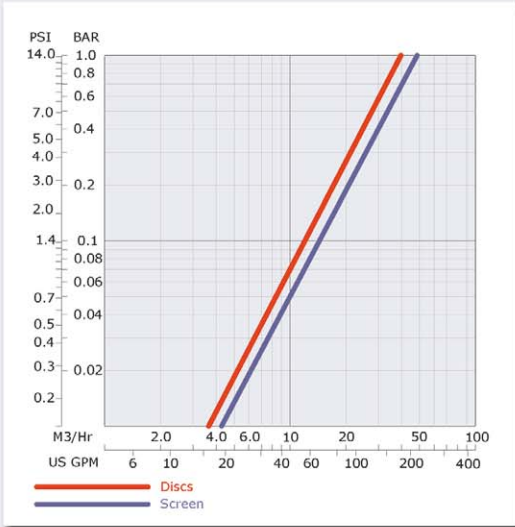
2"T-Super



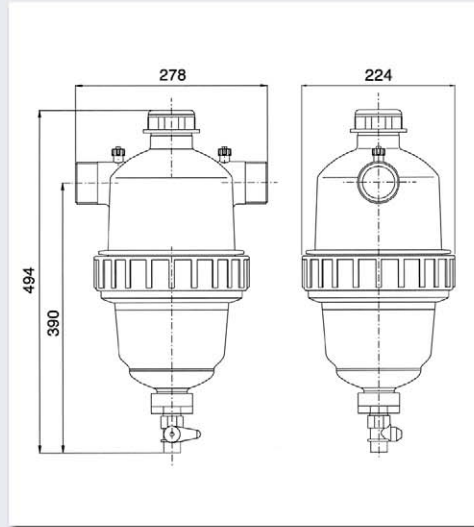
3"T



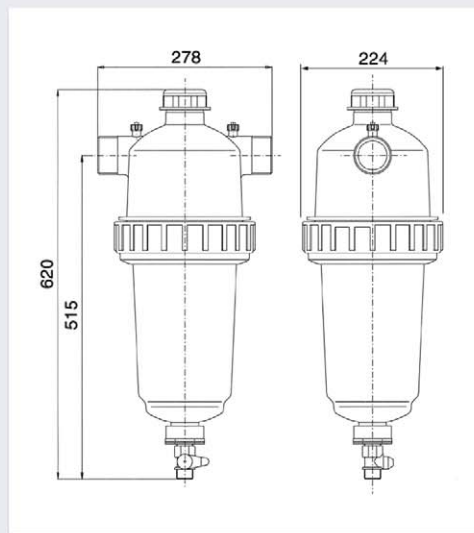
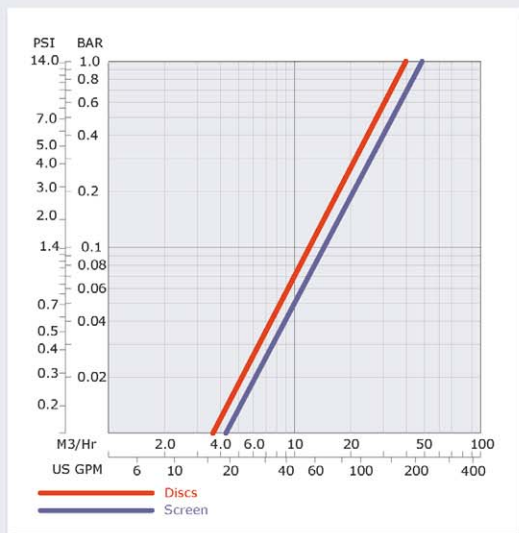
Pressure loss graphs



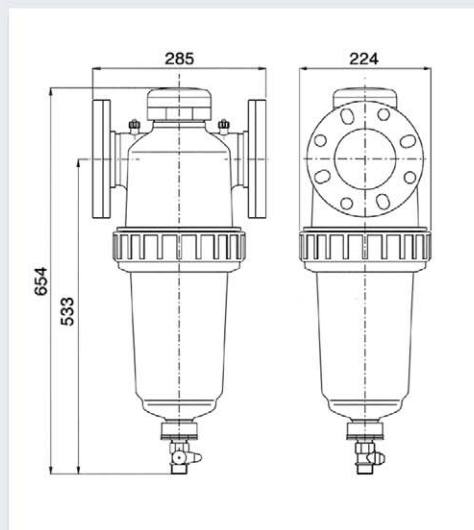
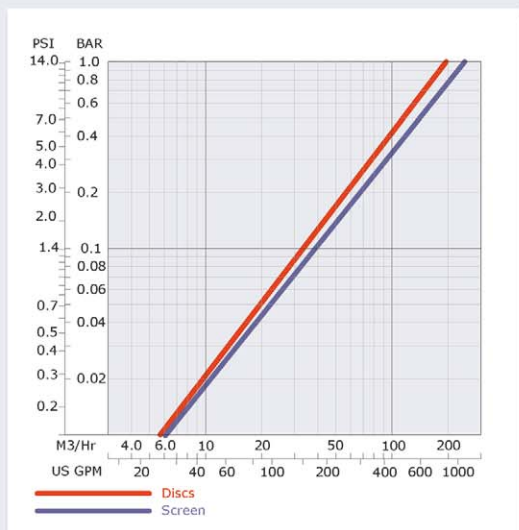
Dimensional drawings



2”T



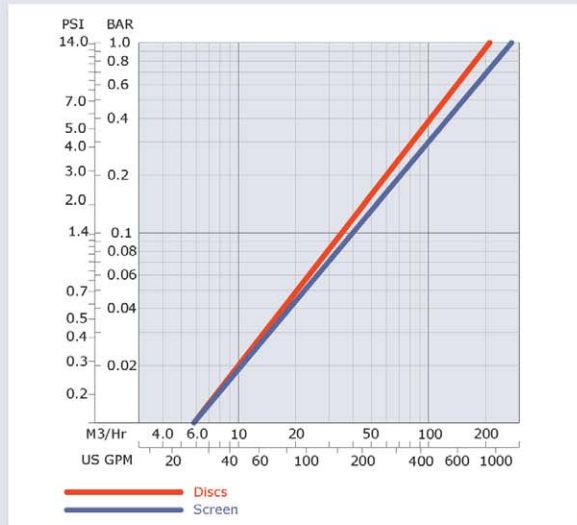
2”T-Super



3”T



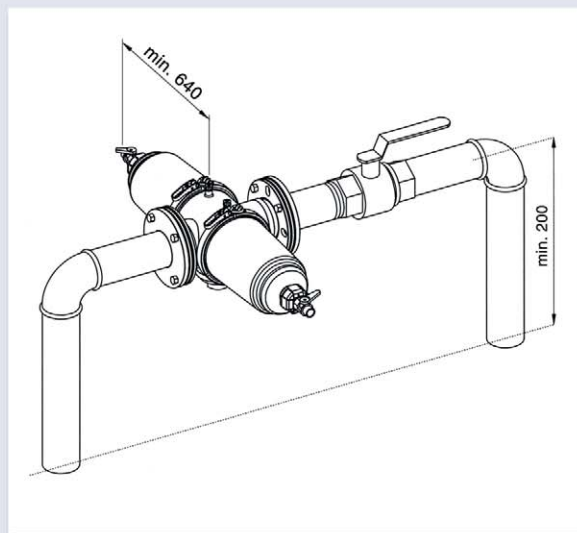
Pressure loss graphs



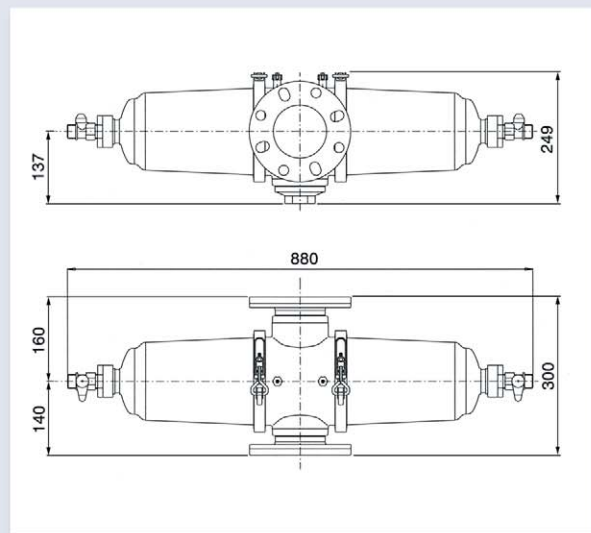
3"LT-S



Suggested installation



Dimensional drawing



Technical specifications

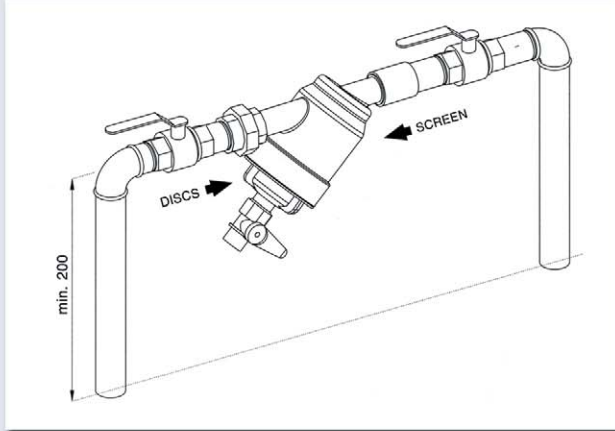
Filter type		2"T	2"T-S	3"T	3"LT-S
In/Out Ø [mm] [inch]		50	50	80	80
		2	2	3	3
Maximum flow [m ³ /h]		25	25	50	50
Maximum pressure [bar]		10	10	10	10
Maximum temp. [°C]		60	60	60	60
Filter area [cm ²]	Screen	465	700	700	930
	Discs	790	1185	1185	1580
Weight [kg]	Screen	3.6	4.2	4.5	9.2
	Discs	4.4	5.4	5.7	11

Construction materials

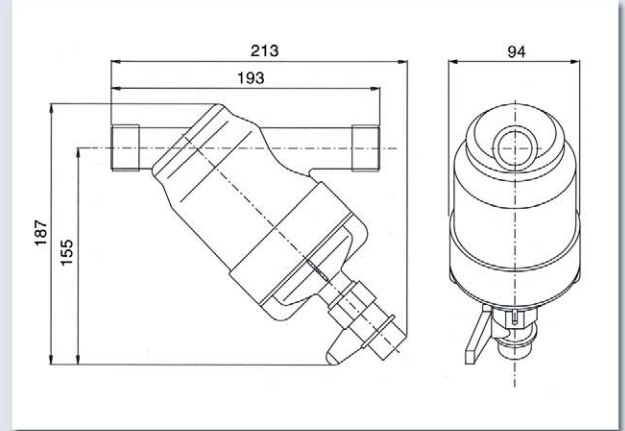
Filter type		2"T	2"T-S	3"T	3"LT-S
Housing, Lid & Tightening nut		Polyamid + Glass Fibers			Polyacetal
	Clamp	-			St.St.
Housing seal		NBR			
Discs	Construction	Polyethylene			
	Grooved discs	Polyethylene			
	Seals	NBR			
Screen	Construction	Polypropylene + Glass Fibers			
	Mesh	St.St.			
	Seals	NBR			

1"-S - 1 1/2"-S PLASTIC FILTERS FOR FLOW RATES UP TO 15 m³/h

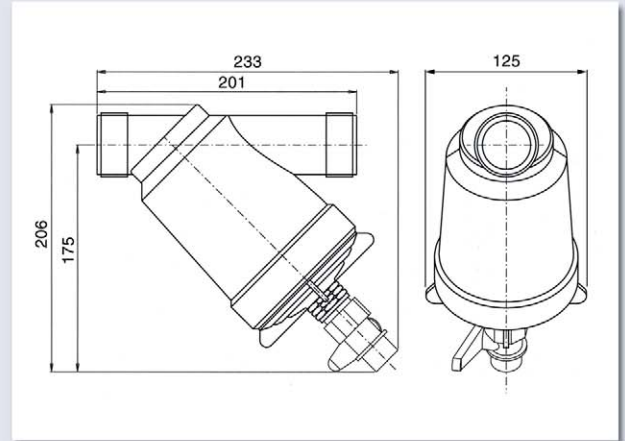
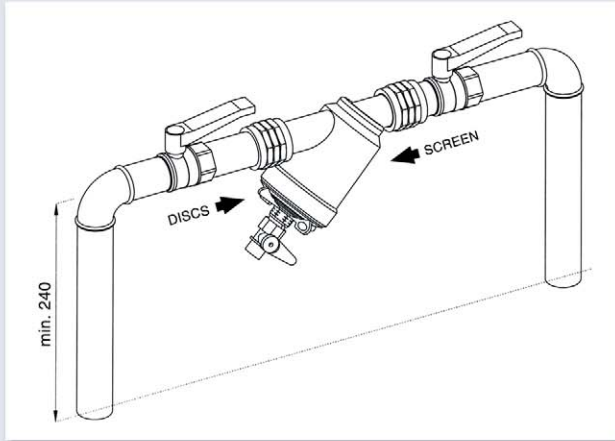
1"-S Suggested installations



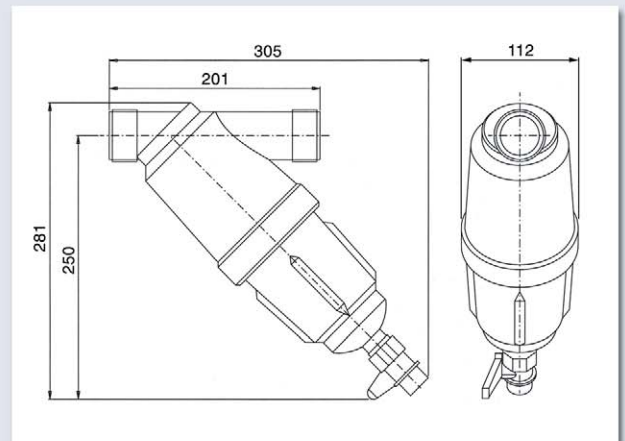
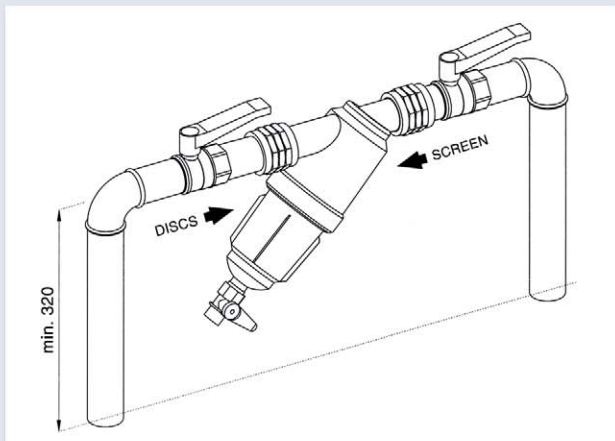
Dimensional drawings



1 1/2"-Compact



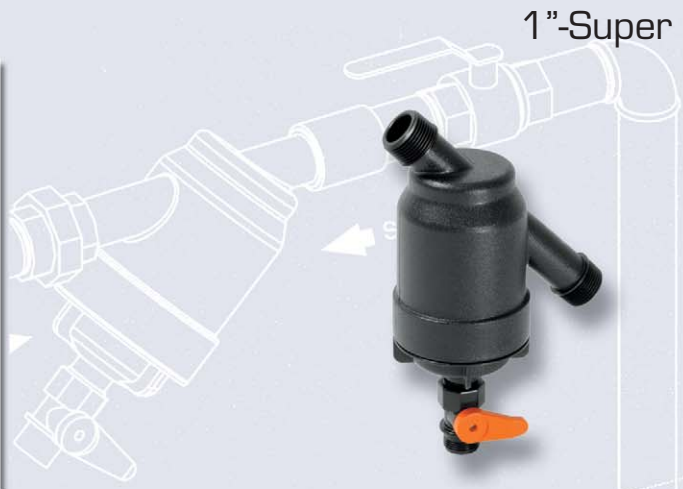
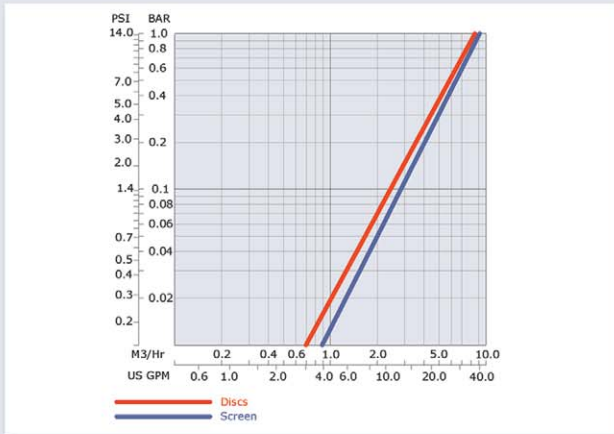
1 1/2"-Super



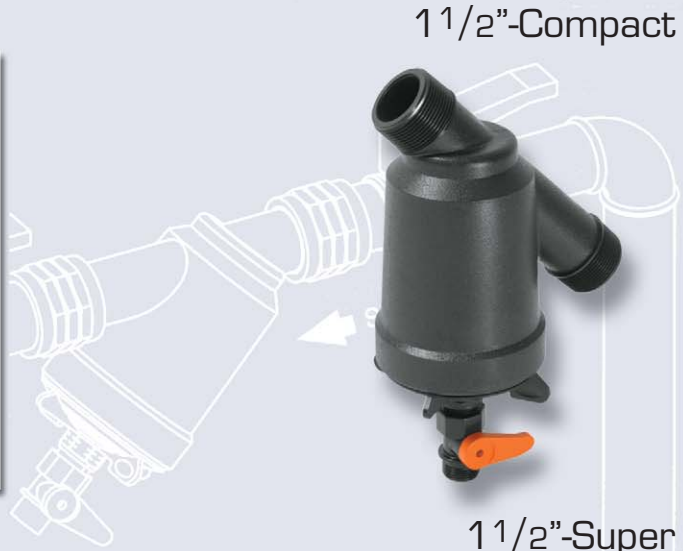
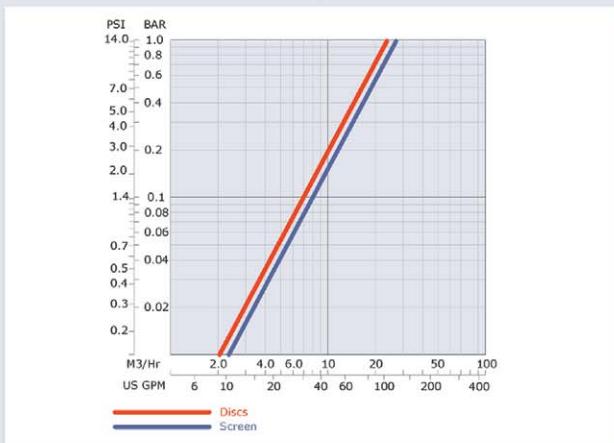
Technical specifications

Filter type	Inlet/Outlet Ø [mm; inch]	Maximum flow [m ³ /h]	Maximum pressure [bar]	Maximum temp. [°C]	Filter area [cm ²]		Weight [cm ³]	
					Screen	Discs	Screen	Discs
1"-Super	25 mm; 1"	7	10	60	170	200	0.52	0.63
1 1/2"-Compact	40 mm; 1 1/2"	15	10	60	170	200	0.76	0.86
1 1/2"-Super	40 mm; 1 1/2"	15	10	60	340	460	1.0	1.2

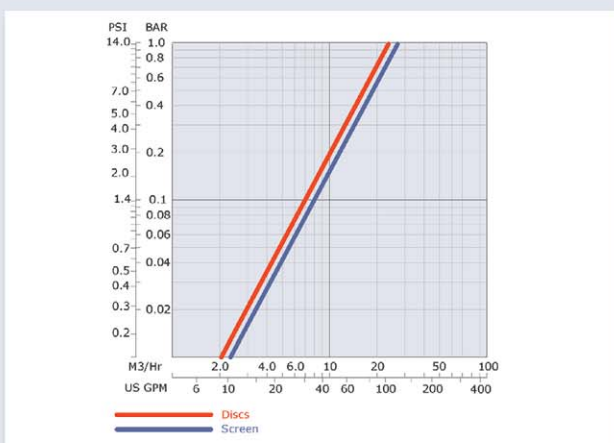
Pressure loss graphs



1"-Super



1 1/2"-Compact



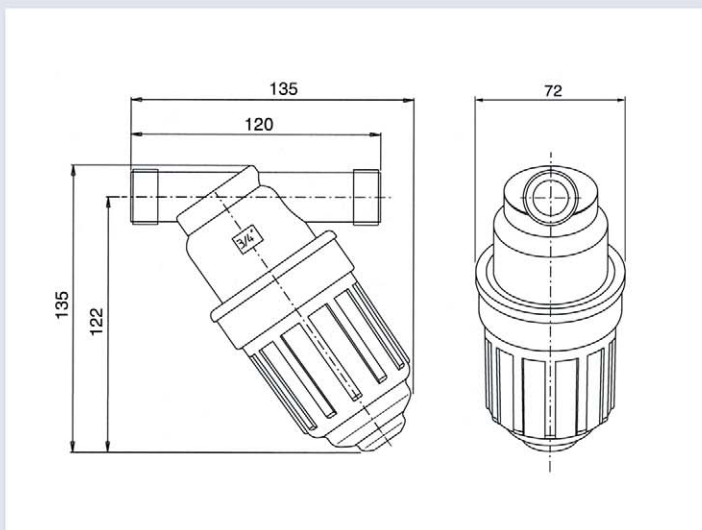
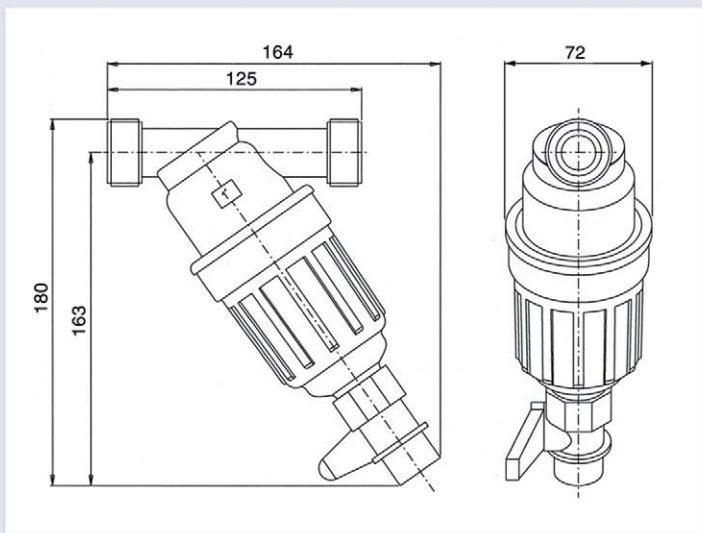
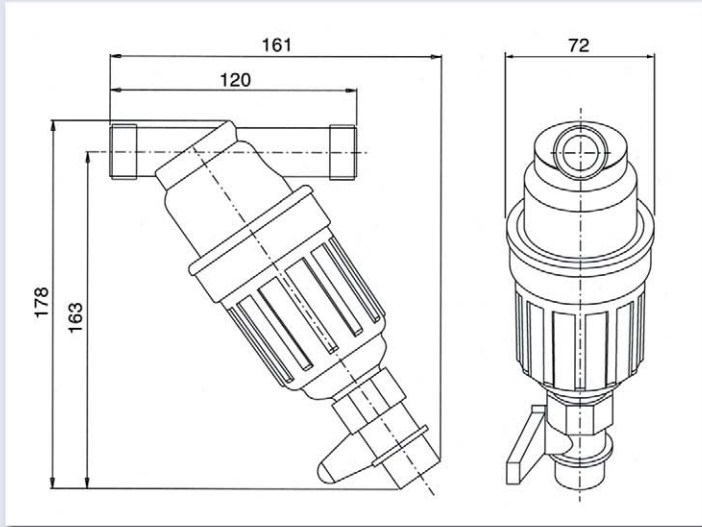
1 1/2"-Super

Construction materials

Housing & Lid		Polyacetal
Housing seal		NBR
Discs	Construction & Grooved discs	Polypropylene
	Seals	NBR
Screen	Construction	Polypropylene
	Mesh	St.St. or Polyester
	Seals	NBR

3/4" - 1"-C PLASTIC FILTERS FOR FLOW RATES UP TO 5 m³/h

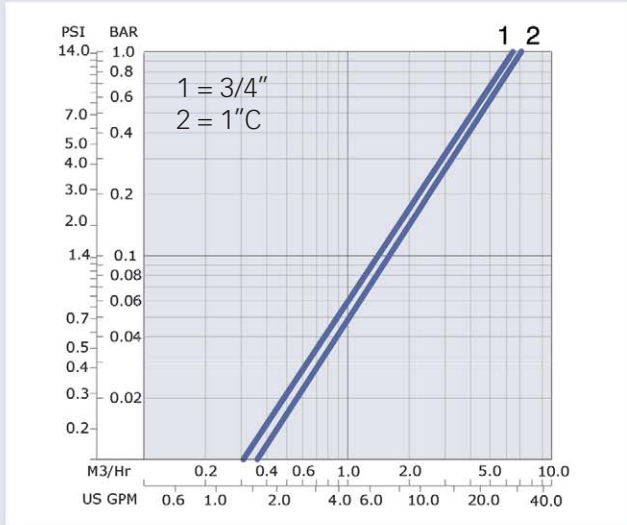
Dimensional drawings



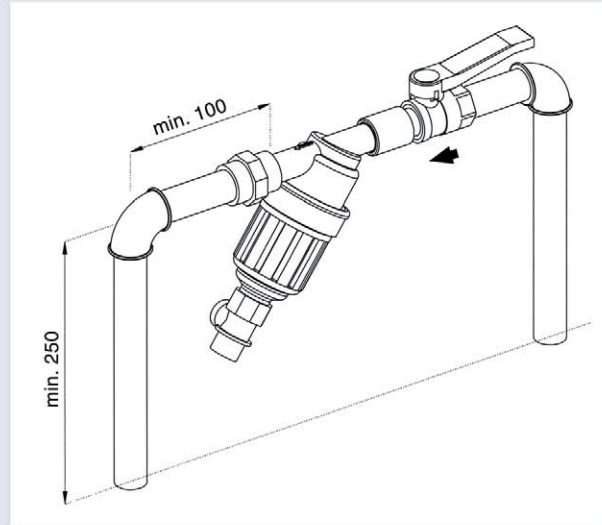
3/4", 1"-Compact w/o valve



Pressure loss graphs



Suggested installation



Chemical resistant filters

Amiad offers its 3/4" and 1"-Compact filters with chemical resistant materials. These filters are provided as standard with Amiad Fertigation equipment, and are resistant to all fertilizers and herbicides used in agriculture.

The filters are also suitable for use with chlorine. Please check with manufacturer for specifications.



Technical specifications

Filter type	Inlet/Outlet Ø [mm; inch]	Maximum flow [m ³ /h]	Maximum pressure [bar]	Maximum temp. [°C]	Filter area [cm ²]	Weight [cm ²]
3/4"	20 mm; 3/4"	3	10*	60	110	0.28
1"-Compact	25 mm; 1"	5	10*	60	110	0.30

*Chemical resistant filters are rated to 8 bar.

Construction materials

Filter type		3/4", 1" C	3/4", 1" C Chemical Resistant
Housing and Lid		Polyacetal	Polypropylene
Housing seal		NBR	Viton or NBR
Screen	Construction	Polypropylene	Polypropylene
	Mesh	St.St. or Polyester	St.St. or Polyester
	Seals	NBR	Viton or NBR



In an increasingly crowded world, the need for clean water concerns everyone involved in sustaining our quality of life. Society and economy cannot exist without water; Because water is life.

For more than 40 years, Amiad has helped meet this need by developing a comprehensive line of exceptionally efficient, automatic self-cleaning filters and manual filters for use in industry, municipalities, and irrigation. Amiad provides solutions in more than 66 countries, with seven subsidiaries and sales offices. Amiad's pledge to the filtration industry is to continue providing innovative and dependable systems, quality service and reliable customer support.

REGIONAL OFFICE

MASA FILTRATION SDN BHD (CO. NO.: 806767-U)
Tel: (603) 9235 1013 Fax: (603) 9235 1023
E-mail: info@masafilter.com
www.masafilter.com

▶ AUSTRALIA:

Amiad Australia Pty Ltd., 3/15 Brisbane St. Eltham, 3095, Victoria
Tel: 61 39 439 3533, Fax: 61 39 439 1612, E-mail: amiad@amiad.com.au

▶ CHINA:

Taixing Environtec Co. Ltd., 70 Baihe Chang, Xingjie Yixing Jiangsu, 214204
Tel: 86 0510 7134000, Fax: 86 0510 7134999, E-mail: taixing@public1.wx.js.cn

▶ FAR-EAST:

Filtration & Control Systems Pte. Ltd., 111 North Bridge Road #07-07, Peninsula Plaza, 179098, SINGAPORE
Tel: 65 6 337 6698, Fax: 65 6 337 8180, E-mail: fcs1071@pacific.net.sg

▶ FRANCE:

Amiad France S.A.R.L., 31 Boulevard Lefebvre, Paris, 75015
Tel: 33 1 56085522, Fax: 33 1 45302596, E-mail: info@amiadfrance.com

▶ GERMANY:

Amiad Filtration Solutions Ltd., Zweigniederlassung Deutschland, Gerstäckerstr. 9, D-20459
Tel: 49 40 3609 6770, Fax: 49 40 3609 6765, E-mail: info@amiad.de

▶ NORTH AMERICA:

Amiad Filtration Systems, 2220 Celsius Avenue Unit B., Oxnard, 93030, California, USA
Tel: 1 805 988 3323, Fax: 1 805 988 3313, E-mail: info@amiadusa.com

▶ SOUTH AMERICA:

Sucursal Sudamerica, Agustín de Urubey 1379, Montevideo, 11300, URUGUAY
Tel: 598 2 628 0927, Fax: 598 2 622 6991, E-mail: amisur@adinet.com.uy

www.amiad.com

AMIAD products undergo constant monitoring for quality control. The manufacturer reserves the right to incorporate changes and improvements in the products without prior notice.



AMIAD FILTRATION SYSTEMS LTD.